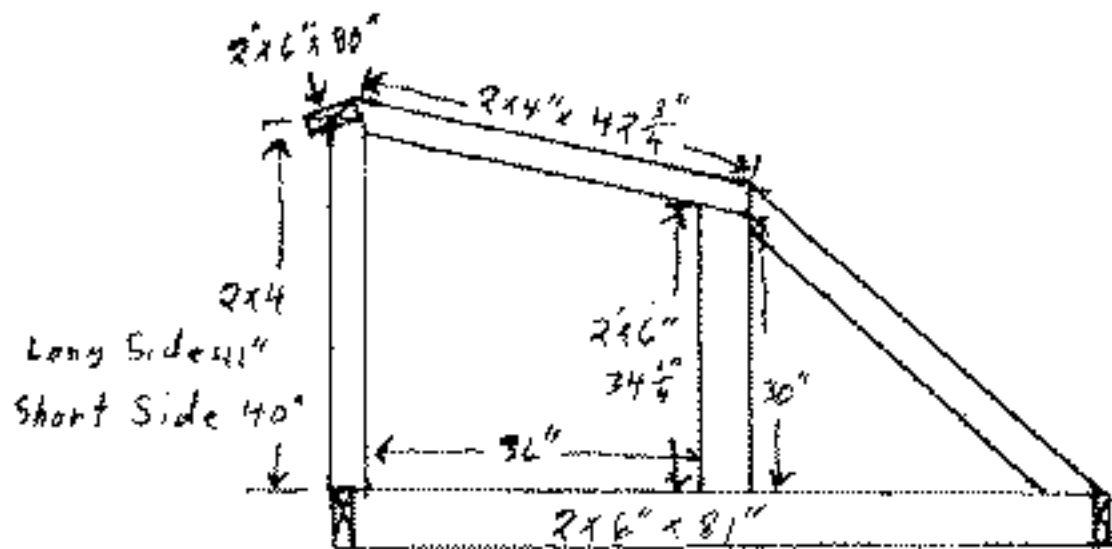


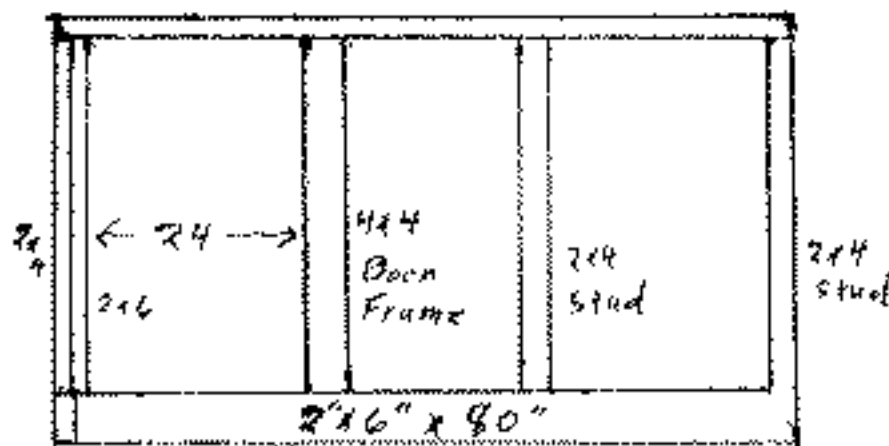
80x80" HUT REVERSE SLOPE HUT

FRONT VIEW  
80"  
TOM FRANTZEN JAN 2000

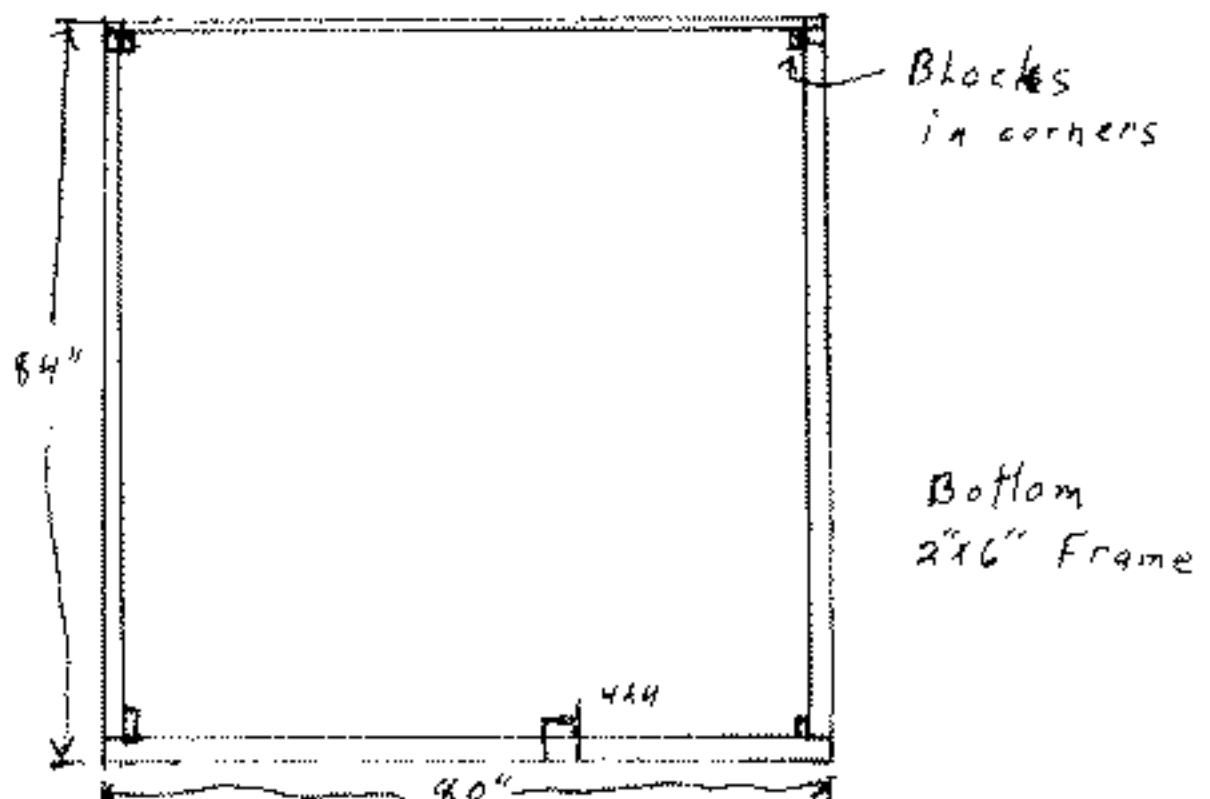
# E-Hut – Front, Side & Top



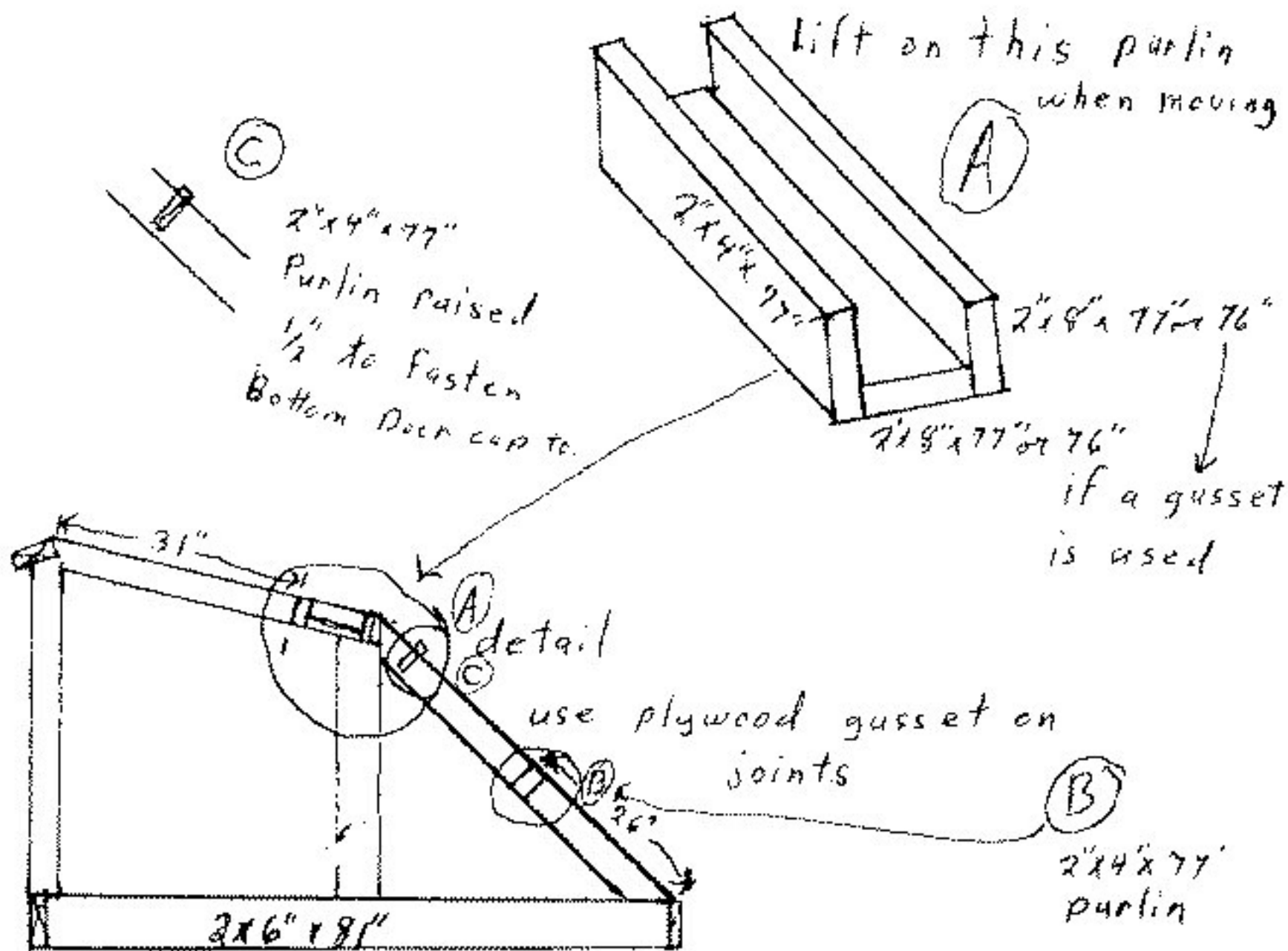
Side View End Wall Framing



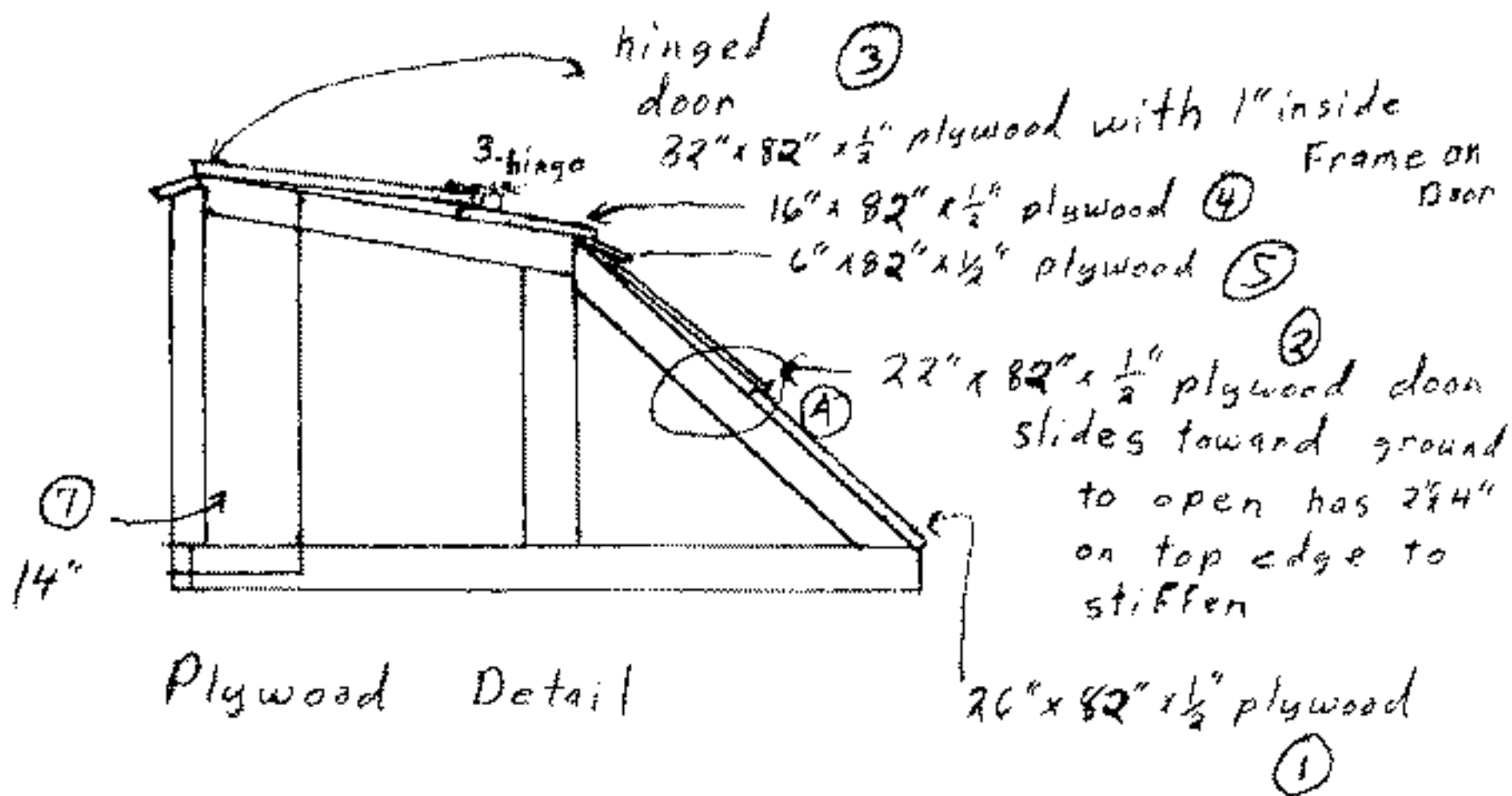
Front Wall Framing



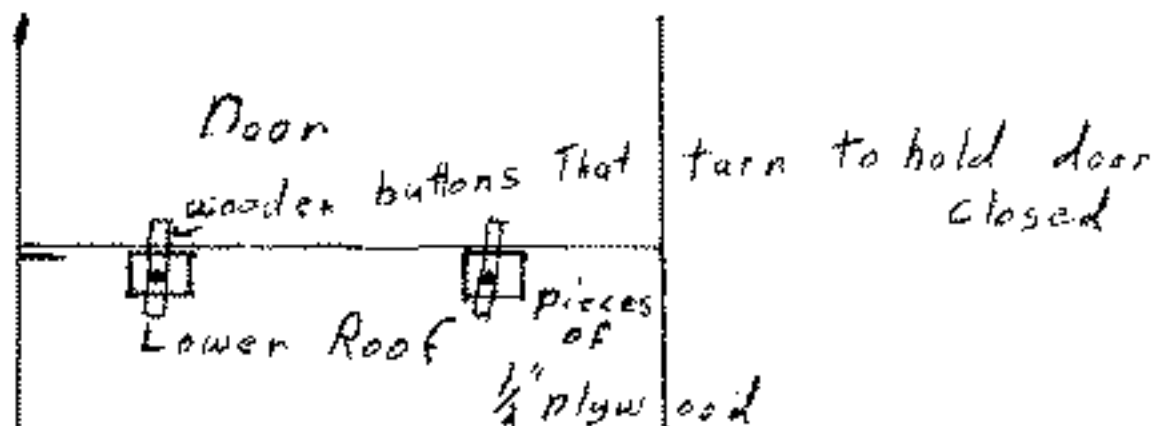
# E-Hut – Side View, Purlin Detail



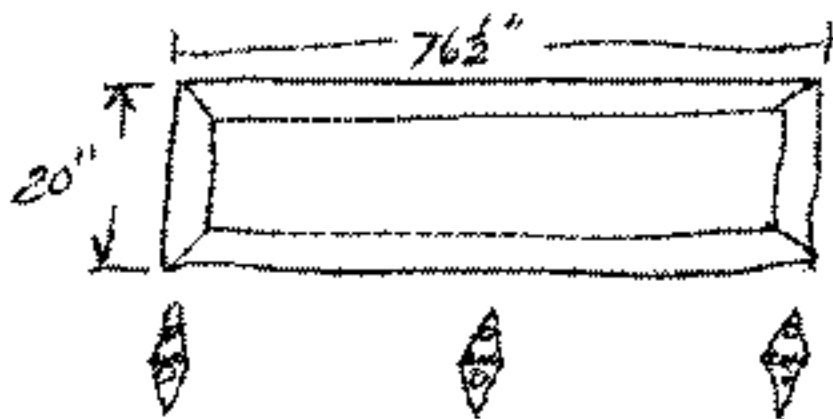
# E-Hut – Door Details



Detail (A)

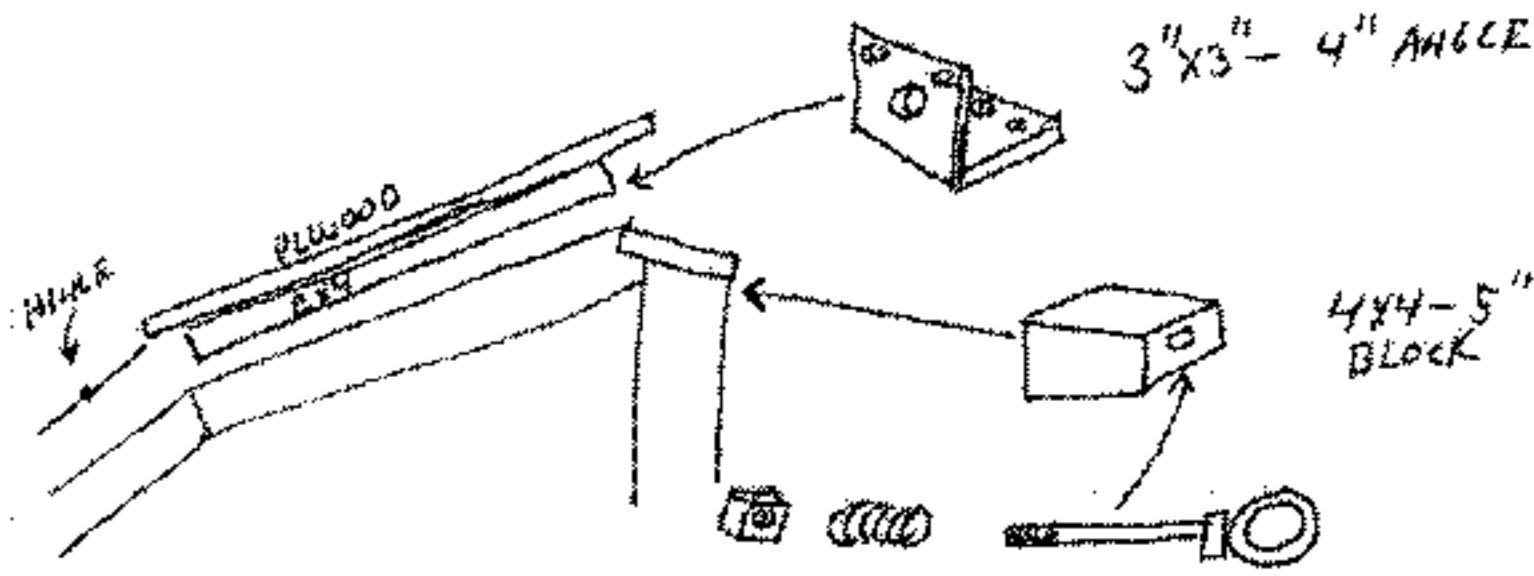


LID DETAILS 80" X 63"  
 REVERSE SLOPE  
 HUT



2X4 DOOR FRAME

3 HINGES



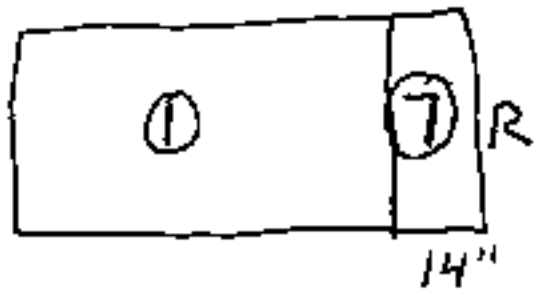
ANGLE IRON HAS THREADED END OF  
 $\frac{1}{2}$ " BOLT CATCHING INTO THE HOLE

I USE  $\frac{17}{32}$  DRILL BIT FOR HOLES  
 IN BLOCK AND ANGLE

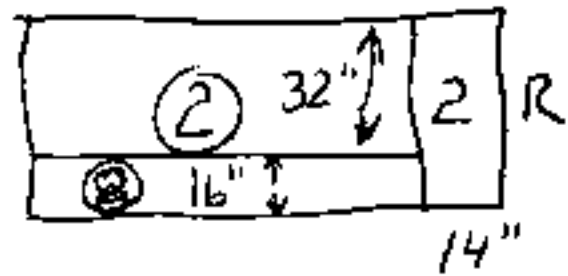
WOOD BLOCK LAG BOLTER TO TOP 2X6

# PLYWOOD CUTTING

USES ABOUT 4 SHEETS  $\frac{1}{2}$ " BASEMENT GRADE

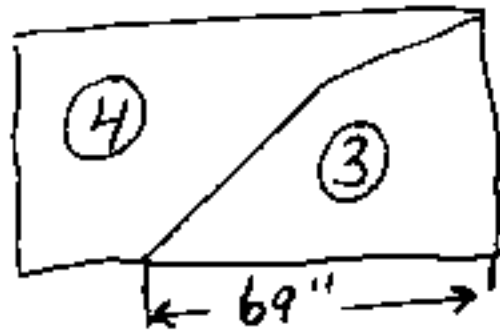


① 82" x 48" LOWER ROOF SHEET



② 82" x 16" UPPER ROOF OVERLAPS ①

② 82" x 32" ROOF LID OVERLAPS ⑧  
3 HINGES

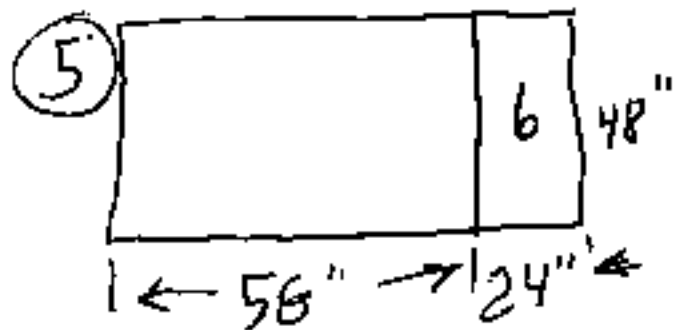


③ SIDE SHEET JOINS 7 R TO FILL ONE SIDE

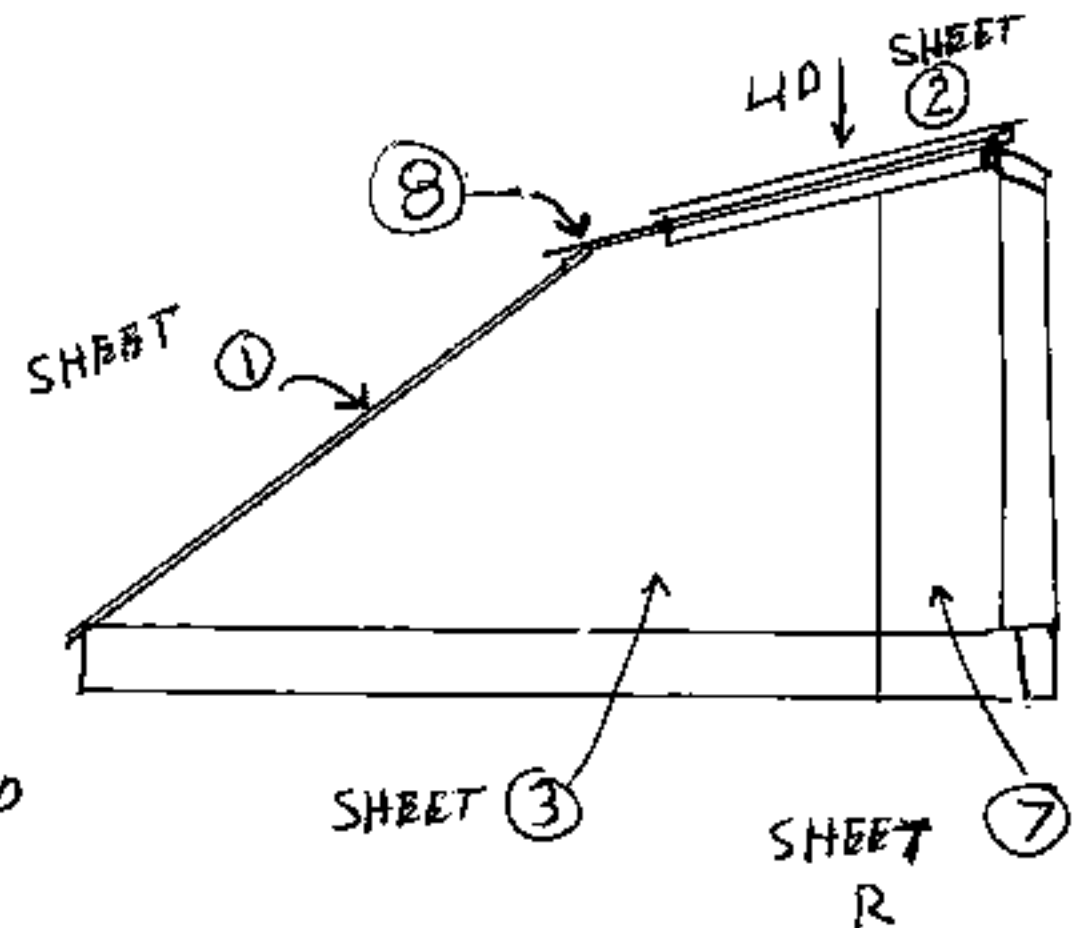
④ SIDE SHEET JOINS 2 R TO FILL 2ND SIDE

⑤ FRONT FACE

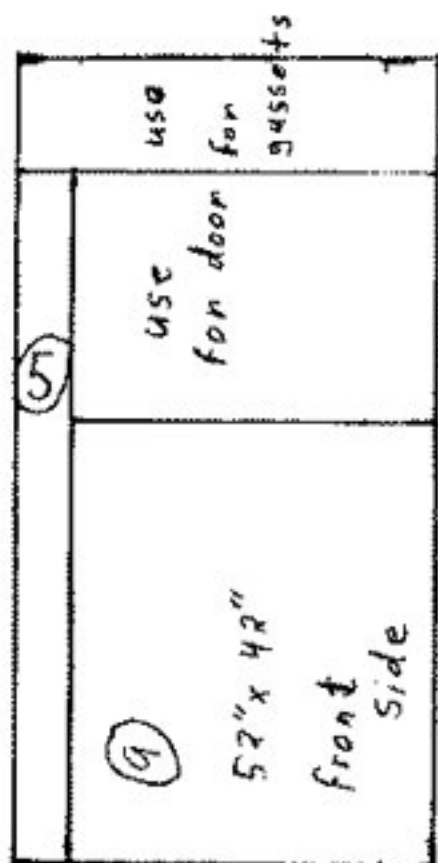
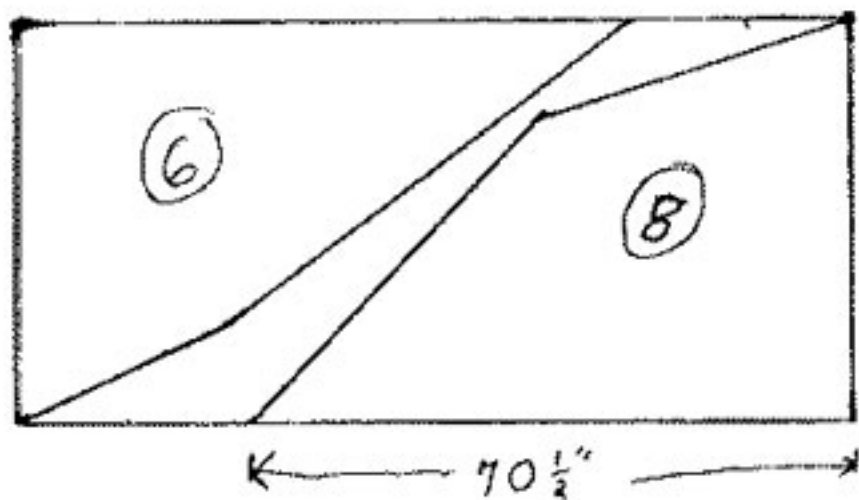
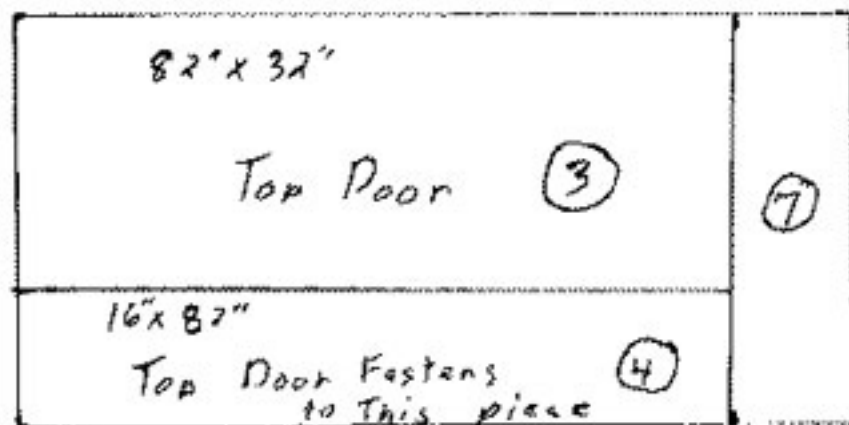
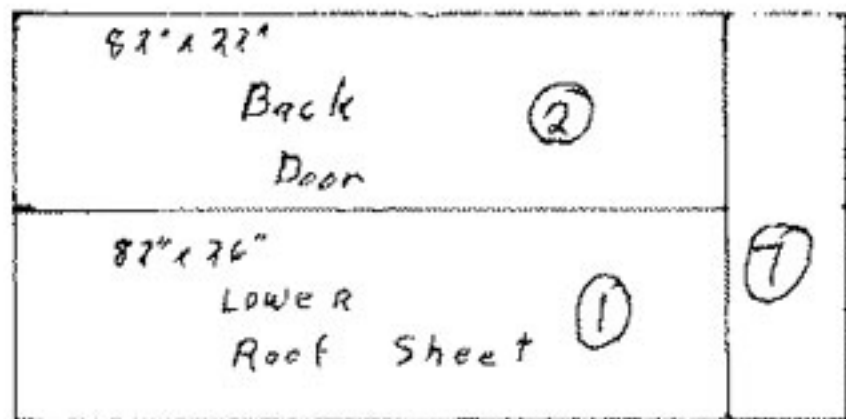
⑥ FRONT DOOR



USE HEX SCREWS  $1\frac{3}{4}$  TO FASTEN PLYWOOD  
NOT NAILS OR DECK SCREWS!



# E-Hut – Plywood Cutting



↑  
6" x 82"  
Cap for  
Bottom Door

6 + 8 join 7  
to fill one side